

EODA KENTYUE 垦跃®

JIAXING KEYUE MEDICAL EQUIPMENT CO., LTD

Address: No. 138, Linjiang Road, Jiashan County, Jiaxing City,
Zhejiang Province, China

Website: www.medicalky.com
Email: jackwang@medicalky.com
Tel: 0086-573-84219951

Mobile: +86-18964969719
Postcode: 314000
Fax: 0086-573-84011929



SINCE 2011

企业介绍

Enterprise Introduction

嘉兴垦跃医疗器械有限公司主要从事医疗床配件、远程诊断车、智能升降台、养老产品的研发和销售。凭借高标准的生产要求，新技术的运用和高效的管理，以及追求产品的国际标准化，为客户提供更优质的产品。

我们的经营理念：诚信、务实、创新、奉献。更好的服务新老客户，为社会做出更大的贡献！

Jiaying KenYue Medical Equipment Co.ltd. is a fast growing enterprise for researching,developing and selling on parts of medical beds, remote control diagnostic troll-eyes intelligent operation tables,retirement items etc. It offers better products based on high-quality manufacturing standards,new-technical operation, effective management, and the pursuit of international standards for articles.

Our principal:Honest, Pragmatism, Innovation and Dedication.We will contribute better service to old &new customers and more to our society!



企业资质

Qualifications



DELIVERY BED SERIES

产床系列



妇产床 | OBSTETRICS AND GYNECOLOGY BED KY-PD8615CHR

技术参数 | Technical Parameter

外形尺寸: L1980*W1100*H600-900mm	Dimensions: L1980*W1100*H600-900mm
背部倾斜: 85° ±5°	Back tilt: 85°±5°
可调高度: 600-900mm	Adjustable height: 600-900mm
前后倾斜: ±12° ±2°	Front tilt: ±12°±2°

基本配置 | Settings

• 脚托	1对	Legholder	1pair
• 扶手	1对	Armrests	1pair
• PP 护栏	1对	PP Side rail	1pair
• 不锈钢污盆	1个	Stainless steel sewage basin	1pcs
• 床头	1个	Plastic head board	1pcs
• 五寸中控制车系统	1套	5 inch central-controlled brake system	1set
• 高级医用电机	3个	Advanced medical actuators	3 pcs
• 控制器	1个	Control box	1pcs
• 手控器	1个	Handset	1pcs
• 床垫	1张	Mattress	1sheet
• Φ125 mm脚轮	4个	Φ125 mm castors	4pcs

可选配置 | Optional

• 全身拍片	Optional function: Full body X-ray
--------	------------------------------------



电动检查床 (妇科款) | ELECTRIC EXAMINATION BED (GYNECOLOGICAL VERSION)

KY-PD8617PFB

产品说明 | Product description

Automatic linen sheet change will improve the exam efficiency, especially for the ultrasonic room, and it will provide a good hygiene experience for the patient, the muttrangle ad ustable leg rest can achieve a variety or inspection angles, all these features make KY-PD8617PFB widely suitable for ultrasound rooms and gynecological examination rooms.

技术参数 | Technical Parameter

- 1.外形尺寸: L1320*W770*H600-870mm (±10) mm
- 2.座面倾角: 15°±1°
- 3.靠背倾斜角度: 65°±1°
- 4.腿部支撑调节角度: -20°~+20°±1°
- 5.10秒卷纸长度: 1.5-2m
- 6.静态安全工作负荷: 180KGS
- 7.净重: 127KGS

1. Overall dimensions: L1320*W770*H600-870mm (±10)mm
2. Seat angle: 15°±1°
3. Backrest tilt angle: 65°±1°
4. Leg support adjustment angle: -20°~ +20°±1°
5. Length of roll paper for 10 seconds: 1.5-2m
6. Static safety workload: 180KGS
7. Net weight: 127KGS



妇检床 | GYNECOLOGICAL EXAMINATION BED

KY-PD8614PFR

技术参数 | Technical Parameter

外形尺寸: L1250*W550*H500-500(±20mm)
 高度调节范围: 300mm
 臀部尺寸: 550*550mm
 最大承重: 200Kg

Dimensions: L1250*W550*H500-500(±20mm)
 Height adjustment range: 300mm
 Hip size: 550*550mm
 Maximum bearing: 200Kg

基本配置 | Settings

• 脚托	1对	Foot support 1 pair
• 扶手	1对	Handrail 1 pair
• 脚轮	4个	Casters 4pcs
• 线型执行器	3个	Linear actuators 3pcs
• 控制盒	1个	Control box 1pcs
• 脚踏控制器	1个	Foot controller 1pcs
• 污物盆	1个	Waste basin 1pcs



妇检床 | GYNECOLOGICAL EXAMINATION CHAIR

KY-C02

技术参数 | Technical Parameter

整体尺寸: 1837*570*680-920mm
 背部尺寸: 827*570mm
 臀部尺寸: 420*570mm
 腿部尺寸: 480*570mm
 扶手尺寸: 500*120mm
 垫子材质: 海绵+皮革 厚度: 8cm
 起背: 80°±5°
 整体升: 680-920mm
 腿部放下: 90°

Overall size: 1837*570*680-920mm
 Back size: 827*570mm
 Hip size: 420*570mm
 Leg size: 480*570mm
 Armrest size: 500*120mm
 Cushion material: sponge+leather thickness: 8cm
 Back: 80°±5°
 Overall rise: 680-920mm
 Leg down: 90°

标准配置 | Settings

• 电机	3个	Motors 3pcs
• 手控器	1个	Handset 1pcs
• 控制器	1个	Controller 1pcs
• 污盆	1个	Dirty basin 1pcs
• PU发泡脚托	1对	PU foam foot support 1pair
• 脚轮	4个	Casters 4pcs



综合产床 |
KY-PLGYN-06

技术参数 | Technical Parameter

外形尺寸: L2000W*600*H620-860mm

后倾/前倾: ≥20°/≥20°

背板上折: ≥65°/≥10°

承重: 250kg

Boundary Dimension: L2000W*600*H620-860mm

Trendelenburg / Revers Trendelenburg: ≥20°/≥20°

Back Section Up/: ≥65°/≥10°

Load Capacity: 250kg

基本配置 | Settings

• 底座	1套	Base 1set
• 床垫	1套	Mattress 1set
• 台面升降系统	1套	Table lifting system 1set
• 手托	1对	Hand support 1pair
• 腿托 (带足登)	1对	Leg support (with foot boarding) 1pair
• 屏风支架	1副	Screen bracket 1pair
• 污物盆	1个	Sewage basin 1pcs



妇产床 | OBSTETRICS
AND GYNECOLOGY BED
KY-SZ-II

技术参数 | Technical Parameter

表面尺寸(长x宽): 1650 × 550mm

辅助台(长x宽): 400 × 550mm

升降范围: 630-930(+10mm)

背板调节角度: 上折 ≥70°

臀板调节范围: 前倾 ≥8° 后倾 ≥15°

污盆尺寸(带软管): 420 × 245 × 80mm

输入电源: AC220V/50HZ

Exterior dimension (LxW): 1650x 550mm

Min.&Max.table height: 630-930mm

Assist platform dimension: 400 x 550mm

Back section (up/down): 0°- 70°

Seat section (up/down): 8°- 15°

Filth basin dimension(with soft pipe) : 420 × 245 × 80mm

Input power: AC220V/50Hz



基本配置 | Settings

• 污物盆	1只	Filth basin 1piece
• 脚踏开关	1套	Foot switch 1set
• 搁手板	1副	Hand shelf 1pair
• 搁腿架	1副	Leg rest 1pair
• 手持控制器	1个	Handheld controller 1pcs

可选配置 | Optional parts

• 冷光源灯	1盏	Cold light source lamp 1set
• 诊疗椅	1张	Medical chair 1sheet



可选颜色: 蓝色和粉色
Available colors: blue and pink



妇检床 | GYNECOLOGICAL EXAMINATION BED
KY-PD8630PMB

KY-PD8630PMB 妇检床由管状 201 不锈钢制成；固定底座配有保护性塑料支脚；可调节三个部分，配有独立控制装置，床面为高密度聚氨酯泡沫，覆盖可清洗的人造皮革；防水、阻燃。

KY-PD8630PMB Gynecological examination bed frame made of tubular 201 stainless steel; Fixed bases with protective plastic feet; Adjustable three sections with independent controls. Bed top is high-density polyurethane foam, and covered with washable faux leather: waterproof, flame retardant.

技术参数 | Technical Parameter

床体尺寸:L1800"W600"H820mm	Bed size L1800"W600H820mm
背面调节0-70°	Back adjustment: 0-70°
腿部向下:0-85°	Leg down 0-85°
床垫厚度: 4cm	Mattress thickness: 4cm
带滑出式不锈钢碗 φ28cm	With slide-out S.S bowl φ28cm
承重: 150kg	Load bearing: 150kg

基本配置 | Settings

• 床架	1套	Bed Frame	1set
• 床垫	1套	Mattress	1set
• 腿托	1对	Leg Braces	1pair
• 输液杆	1根	I.V Pole	1piece



妇科检查床 | MANUAL COMPREHENSIVE OPERATING TABLE
KY-YGF205A

技术参数 | Technical Parameter

床面长度: L1900*W500*H750mm
背板上折: ≥60° 背板下折: ≥15°
腿板下折: ≥90°

Bed length: L1900*W500*H750mm
Back fold: ≥60°
Backplane lower fold: ≥15°
Leg plate down fold: ≥90°

基本配置 | Standard configuration

• 拉手	1付	handle	1pay
• 托腿架	1付	Leg support frame	1pay
• 床垫	1套	Mattresses	1set



多功能妇科检查床 | GENEKOLOGICAL EXAMINATION BED
YYD-PD-SSC2402-3GN

技术参数 | Technical Parameter

规格: L1840*W600*H820mm
多功能三段式妇检床，背部可调节 0-70度，30 *30MM方管，厚度1.5mm
床垫厚度 6CM，黑色防水 PU 皮

Specification: 1840*600*820mm
Multi functional three-stage gynecological examination bed, Adjustable back 0-70 degrees, 30*30mm square tube, thickness 1.5mm
Mattress thickness 8CM, black waterproof PU leather

基本配置 | Standard configuration

• 床架	1套	1 set of bed frame
• 床垫	1套	1 set of mattress
• 腿托	1对	1 pair of leg supports
• 污物盆	1个	1 sewage basin
• 输液杆	1根	1 infusion rod
• 安全承载能力:	180Kg	Safe carrying capacity: 180Kg





KENYUE 垦跃®

HOSPITAL BED SERIES

病床系列

- ELECTRIC HOSPITAL SERIES
电动病床系列
- MANUAL HOSPITAL BED SERIES
手动病床系列
- HOME CARE BED SERIES
居家养老床系列
- CHILDREN BED
儿童床
- EXAMINATION COUCH
诊查床

ICU 双立柱翻身床 | ICU ELECTRIC TURNING BED

KY-D758-F

产品说明 | Product description

ICU 立柱床采用人体工程学设计，用于照顾 ICU 区域的患者。这种立柱结构使 C 臂检查变得容易，并最大限度地降低了操作过程中的陷阱风险，也便于卫生。所有标准功能加上非凡的立柱功能使这款床成为医疗机构的理想选择。

ICU column Bed is with ergonomic design to take care of the patient in the ICU area. This column structure makes the C-arm exam accessible and minimizes the trap risk during operation, also it is easy for hygiene. All the standard features together with extraordinary column features make this bed an ideal option for medical institutions.

技术参数 | Technical Parameter

外部尺寸: L2190*W1060*H550-950(±10) mm	Outside dimensions: 2190×1060×550-950mm ±10mm
床面尺寸: L1960 * W900(± 10)mm	Bed surface size: 1960x900±10mm
整体升降: H550-950 (±10) mm	Overall lifting: 550-950mm
背部抬起: 0-65° (±1)°	Back lifting: 0 ~ 65°± 1°;
膝部抬起: 0-40° (±1)°	Leg lifting: 0 ~ 40°± 1°;
TR/ATR: 0-15°	TR/ATR: 0-15°
左右倾斜: 0-15°	Tilt left and right: 0-15±2°
静态安全工作负荷: 250KGS	Safe load-bearing: 250KGS
净重: 150KGS	Net weight: 150KGS

标准配置 | Standard configuration

控制系统	1套	Control system	1set;
称重传感器	1套	Manual crank systems	1sets;
X光片盒	1套	X-ray box	1set
中控制车系统	1套	Luxurious central	
豪华中控轮	4个	locking castors	4pcs;
床头尾板	1对	Plastic head/foot-end boards	1 pair;
护士器	1个	Nurse operator	1pc
pp护栏	4片	PP Side Rails	4 pcs
引流钩	4个	Urine hooks	4pcs;
输液杆	1根	S.S I.V pole	1pc;

选配 | Options

床垫	Medical mattress;
餐桌	Dining board;
床头柜	Bedside cabinet;



护士中心控制系统: 操作者可以调整所有位置, 为患者找到舒适合适的位置, 科学称重, 称重精度为50-100g。

Nurse center control system: The operator can adjust all positions to find a comfortable and suitable position for the patient, weigh scientifically, and the weighing accuracy is 50-100g.



五功能称重电动床 | FIVE FUNCTION WEIGHING ELECTRIC BED

KY-D509

床体参数 | Technical Parameter

床体规格 / Bed size: L2200*W1160*H430-745mm
 可调高度 / Adjustable height: 430-745mm
 背部倾斜 / Back tilt: 75±15°
 腿部倾斜 / Leg tilt: 28±15°
 前后倾斜 / Trendelenburg/Reverse Trendelenburg: 15±2°

产品功能 | Product Function

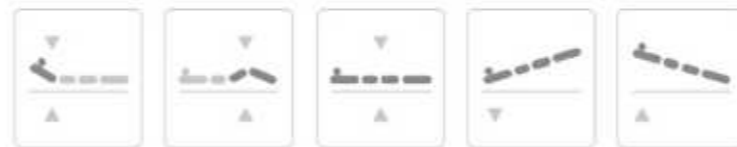
整体升降	Overall lift
背部升降	Back lift
腿部升降	Leg lift
前后倾斜	Front and rear tilt
快速放倒功能CPR	Quick down function left and right flashlight CPR
X射线 (带背部)	With X-ray (with back)
离床报警感应	Out of bed alarm sensing

基本配置 | Standard configuration

• 高级医用电机	3个	Advanced medical motors	3pcs
• 控制盒	1个	Control box	1pcs
• 控制手柄	1个	Control handle	1pcs
• 中控刹车系统	1套	Central control brake system	1set
• 豪华中控轮	4个	Luxury 5-inch central control wheel	4pcs.
• 塑料床头尾板	1对	PP head and foot board	1pair
• PP护栏	1对	PP Side rail	1pair
• 引流挂钩	4个	Drainage hook	4pcs
• 不锈钢输液杆	1支	S.S I.V. Pole	1piece

可选配置 | Optional:

• 医用床垫	Medical mattress;
• 医用餐板	Dining board;
• 床头柜;	Bedside cabinet;
• 病历夹;	Patient file panel;
• 杂物篮。	Sundries basket.



五功能电动床 | FIVE FUNCTION ELECTRIC BED

KY-KTW-D533

床体参数 | Technical Parameter

外部尺寸/Outside dimensions: L2190*W1060*H420-730(±10)mm
 床面尺寸/Bed surface size: L1960 * W900(±10)mm
 整体升降/Overall lifting: H420-730(±10)mm
 背部抬起/Back lifting: 0-65° (±1)°
 膝部抬起/Leg lifting: 0-40° (±1)°
 前后倾斜/Trendelenburg/ Reverse Trendelenburg:0-15°

主要功能 | Main functions:

A:背部升降	A:Back section up/down.
B:腿部升降	B:Knee section up/down.
C:整体升降	C:Whole bed up/down.
D:前后倾斜	D:Trendelenburg and Reverse Trendelenburg.

标准配置 | Standard configuration

• 高级医用电机四个;	4pcs advanced medical actuators,
• 控制盒一个;	1pcs control box,
• 中控刹车系统;	central-controlled brake system,
• 豪华中控轮四个;	4pcs luxurious central locking castors;
• 带控制面板塑料床头尾板一对;	1 pair plastic head/foot-end board with built in control panel;
• 带控制面板PP护栏一对。	1 pair PP siderails with built in control panels.
• 引流挂钩四个;	4pcs urine hooks;
• 不锈钢输液杆一支;	1pcs S.S I.V pole;

可选配置 | Optional:

• 称重功能;	Weighing function;
• 后配电源UPS;	Backup power system (UPS);
• 快速放倒功能CPR;	CPR function;
• 医用床垫; 餐板;	Medical mattress; dining board;
• 床头柜; 病历卡; 杂物篮	bedside cabinet; patient file panel; sundries basket



三功能电动护理床 | THREE FUNCTIONS
ELECTRIC CARE BED

KY-D8535CS-02

床体参数 | Technical Parameter

整体尺寸/Overall dimension: L2240*W1160*H480-770mm
 靠背倾斜/Back rest tilting: 80° ±5° ,
 膝盖板 倾斜/knee board tilting: 40° ±5°
 高低调节之间/Adjust height - low: 480-770mm;

产品功能 | Product functions:

- | | |
|---------|--------------------------|
| A: 起背功能 | A: Back section up/down. |
| B: 抬腿功能 | B: Knee section up/down. |
| C: 整体升降 | C: Whole bed up/down. |

标准配置 | Standard configuration

- | | |
|---------------|---|
| • 3个电机, | 3pcs Advanced medical actuators, |
| • 1个控制盒, | 1pcs control box, |
| • 1个手柄, | 1pcs handset; |
| • 中控制动系统, | Central-controlled brake system, |
| • 4个豪华 中央锁脚轮, | 4pcs luxurious central locking castors; |
| • 1对塑料头/脚端板, | 1 pair plastic head/foot-end board; |
| • 1对PP侧板, | 1 pair PP siderails |
| • 4个引流挂钩, | 4pcs urine hooks; |
| • 1根输液杆 | 1pcs S.S I.V pole; |

可选配置 | Optional:

- | | |
|------------------|----------------------------|
| • 备用电源系统 (UPS) ; | Backup power system (UPS); |
| • CPR功能; | CPRfunction; |
| • 医用床垫; | Medical mattress; |
| • 医用餐板; | Dining board; |
| • 床头柜; | Bedside cabinet; |
| • 病历夹; | Patient file panel; |
| • 杂物篮。 | Sundries basket. |



三功能电动床 | THREE FUNCTIONS
ELECTRIC CARE BED

KY-D305(PZ)

床体参数 | Technical Parameter

床体规格 / Overall dimension: L2200*W1160*H430-745mm
 可调高度 / Adjustable height: 430-745mm
 背部倾斜 / Back tilt: 75° ±5°

产品功能 | Product functions:

- | | |
|---------|------------------|
| A: 整体升降 | A: Integral lift |
| B: 背部升降 | B: Back tilt |
| C: 腿部倾斜 | C: Leg tilt |

标准配置 | Standard configuration

- | | | | |
|----------|----|------------------------------|--------|
| • 高级医用电机 | 3个 | Advanced medical motors | 3pos |
| • 控制盒 | 1个 | Control box | 1pos |
| • 控制手柄 | 1个 | Control handle | 1pcs |
| • 中控制车系统 | 1套 | Central control brake system | 1set |
| • 豪华中控轮 | 1个 | Luxury central control wheel | 1pcs |
| • 塑料床头尾板 | 1个 | PP head and foot board | 1pai |
| • PP护栏 | 1对 | PP Side rail | 1pair |
| • 引流挂钩 | 1个 | Drainage hook | 1pos |
| • 不锈钢输液杆 | 1支 | S.S I.V. Pole | 1piece |

可选配置 | Optional:

- | | |
|-------------|---------------------|
| • 后备电源UPS | Backup power UPS |
| • 快速放倒功能CPR | Rapid step-down CPR |
| • 医用床垫 | Medical mattress |
| • 餐板 | Dinner board |
| • 床头柜 | Bedside cabinets |



三功能电动护理床 | THREE FUNCTIONS
ELECTRIC CARE BED

KY-PD303KW1

床体参数 | Technical Parameter

整体尺寸/Overall dimension: L2100*W980*H430-720mm

靠背倾斜/Back rest tilting: 80° ±5° ,

膝盖板 倾斜/Knee board tilting: 40° ±5°

高低调节之间/Adjust height - low: 430-720mm;

产品功能 | Product functions:

- | | |
|---------|--------------------------|
| A: 起背功能 | A: Back section up/down. |
| B: 抬腿功能 | B: Knee section up/down. |
| C: 整体升降 | C: Whole bed up/down. |

标准配置 | Standard configuration

- | | |
|--------------|---|
| • 3个电机, | 3pcs Advanced medical actuators, |
| • 1个控制盒, | 1pcs control box, |
| • 1个手柄, | 1pcs handset; |
| • 4个脚轮, | 4pcs luxurious castors/Central locking castors; |
| • 1对塑料头/脚端板, | 1 pair plastic head/foot-end board; |
| • 1对PP侧板, | 1 pair PP siderails |
| • 4个引流挂钩, | 4pcs urine hooks; |
| • 1根输液杆 | 1pcs S.S I.V pole; |

可选配置 | Optional:

- | | |
|------------------|----------------------------|
| • 备用电源系统 (UPS) ; | Backup power system (UPS); |
| • CPR功能; | CPR function; |
| • 医用床垫; | Medical mattress; |
| • 医用餐板; | Dining board; |
| • 床头柜; | Bedside cabinet; |
| • 病历夹; | Patient file panel; |
| • 杂物篮。 | Sundries basket. |



二功能电动护理床 | TWO FUNCTIONS
ELECTRIC CARE BED

KY-S202(PZ)

床体参数 | Technical Parameter

整体尺寸/Overall dimension: L2120*W920*H480mm

靠背倾斜/Back rest tilting: 80° ±5° ,

膝盖板 倾斜/knee board tilting: 40° ±5°

产品功能 | Product functions:

- | | |
|---------|--------------------------|
| A: 起背功能 | A: Back section up/down. |
| B: 抬腿功能 | B: Knee section up/down. |

标准配置 | Standard configuration

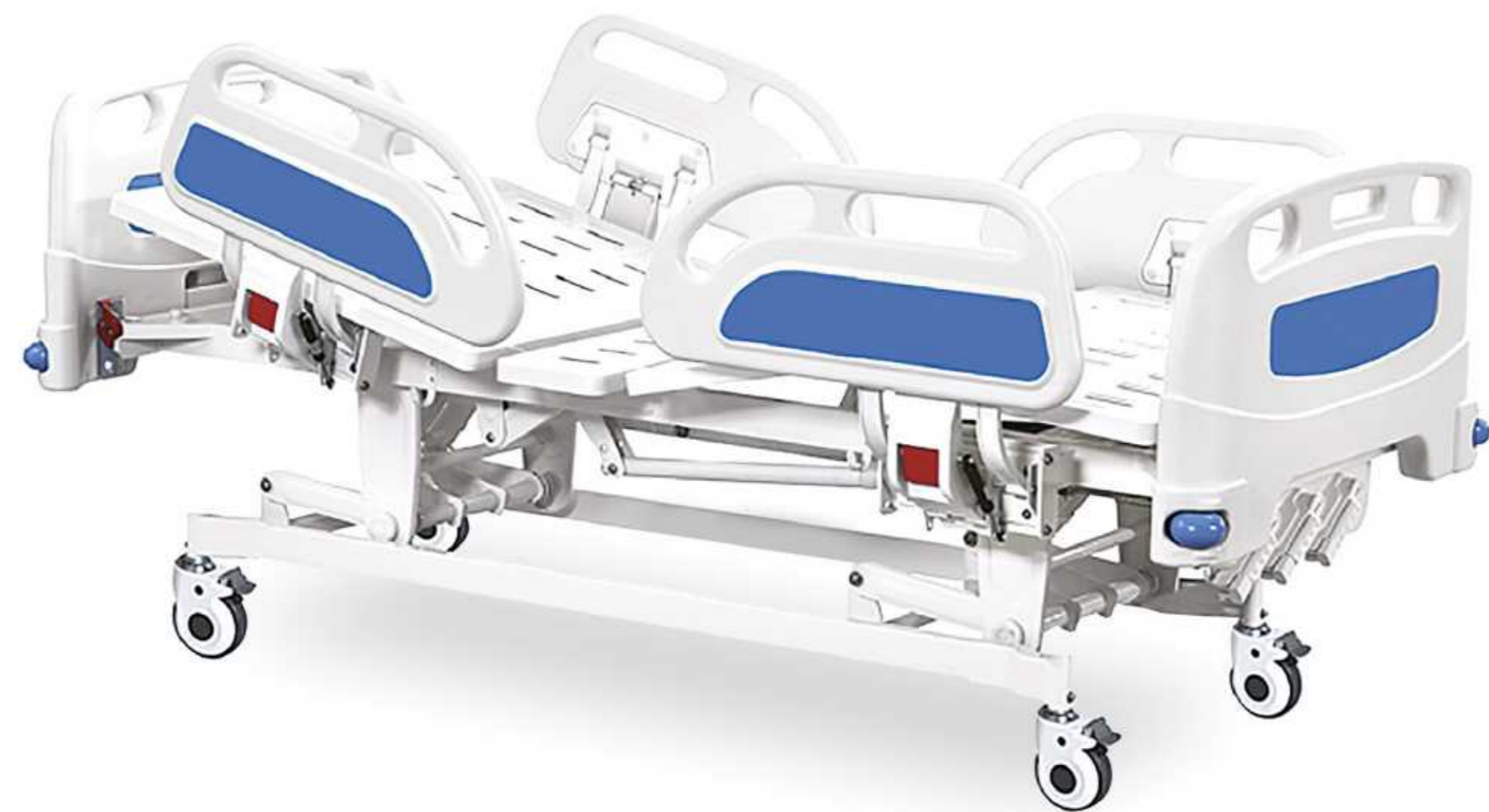
- | | |
|--------------|---|
| • 2个电机, | 3pcs Advanced medical actuators, |
| • 1个控制盒, | 1pcs control box, |
| • 1个手控器, | 1pcs handset; |
| • 4个脚轮, | 4pcs luxurious castors/Central locking castors; |
| • 1对塑料头/脚端板, | 1 pair plastic head/foot-end board; |
| • 1对PP侧板, | 1 pair PP siderails |
| • 4个引流挂钩, | 4pcs urine hooks; |
| • 1根输液杆, | 1pcs S.S I.V pole; |

可选配置 | Optional:

- | | |
|---------|---------------------|
| • 医用床垫; | Medical mattress; |
| • 医用餐板; | Dining board; |
| • 床头柜; | Bedside cabinet; |
| • 病历夹; | Patient file panel; |
| • 杂物篮。 | Sundries basket. |



三曲柄手动护理床 | THREE CRANKS MANUAL CARE BED
KY-PD8308B



产品型号
Model

KY-PD8308B 手动三摇床
Three cranks manual care bed



KY-PD339KW 手动三摇床
Three cranks manual care bed



KY-PD332SS 三摇手病床(半封闭式护栏)
Three cranks manual care bed (two half length side rails)



参数 Parameters

参数	Overall dimension	L2170*W1030*H460mm	L2100*W980*H490mm	L2170*W980*H450mm
背部倾斜	Back rest tilting	80° ±5°	80° ±5°	80° ±5°
腿部倾斜	knee board tilting	40° ±5°	40° ±5°	40° ±5°
高低升降范围	Hi-lo adjustment between	460-720mm	380-680mm	450-880mm
安全载重	Heavy load-bearing	150KGS--200KGS	150KGS--200KGS	150KGS--200KGS
包装尺寸	Packing Size	2020*910*480mm	2000*950*200mm	2020*910*480mm
重量	Gross Weight	110KGS	90KGS	110KGS

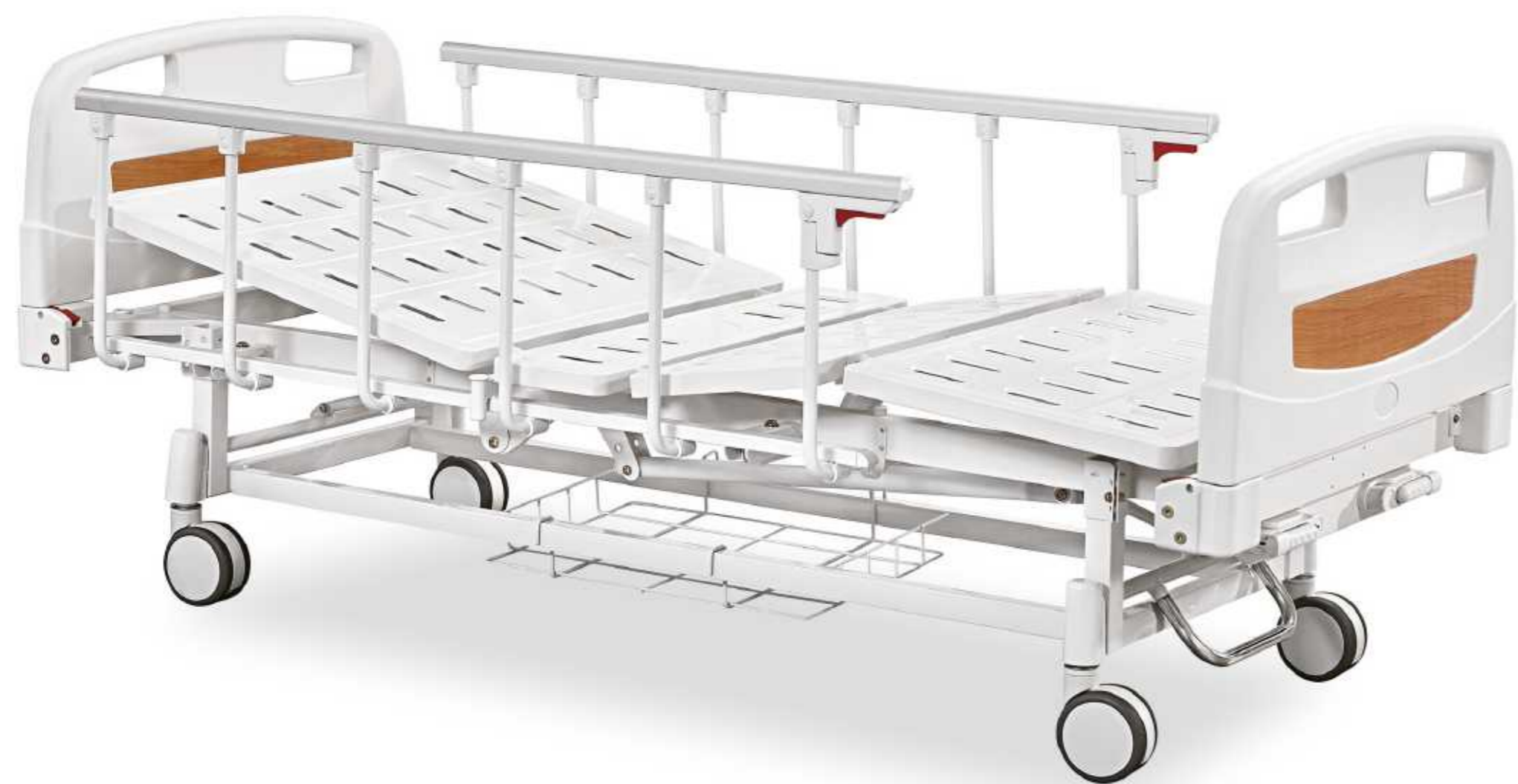
标准配置 Standard configuration

手动升降系统	Manual crank systems 3 sets	●	●	●
脚轮 4个	Luxurious castors 4pcs	●	●	●
床头尾板 1对	Plastic head/foot-end boards 1 pair	●	●	●
护栏	Side Rails	PP Side Rails 4 pcs	Aluminum Alloy Side Rails 1 pair	SUS Side Rails 4 pcs
引流钩4个	Urine hooks 4pcs	●	●	●
输液杆1根	S.S I.V pole 1pc	●	●	●

选配 Options

床垫	Medical mattress	●	●	●
餐桌	Dining board	●	●	●
床头柜	Bedside cabinet	●	●	●
病历夹	Patient file panel	●	●	●
杂物篮	Sundries basket	●	●	●

两功能手动床 | TWO CRANKS
MANUAL CARE BED
KY-S202 (LZ)



产品型号
Model

KY-S202(LZ) 两功能手动床
Two cranks manual care bed



KY-S231 手动两摇床
Two cranks manual care bed



KY-S321KW04 双摇手病床
Two cranks manual care bed



参数 Parameters

整体尺寸	Overall dimension	L2120*W920*H480mm	L2090*W970*H495mm	L2090*W970*H495mm
背部倾斜	Back rest tilting	80° ±5°	70° ±5°	70° ±5°
腿部倾斜	knee board tilting	40° ±5°	40° ±5°	40° ±5°
安全载重	Heavy load-bearing	150KGS--200KGS	150KGS--200KGS	150KGS--200KGS
包装尺寸	Packing Size	2130*930*430mm	2130*930*430mm	2130*930*430mm
重量	Gross Weight	90KGS	90KGS	80KGS

标准配置 Standard configuration

手动升降系统	Manual crank systems 3 sets	•	•	•
中控刹车系统	Luxurious castors 4pcs	•	•	•
豪华中控轮 4个	Luxurious central locking castors 4pcs	•	•	•
床头尾板 1对	Plastic head/foot-end boards 1 pair	•	•	•
护栏	Side Rails	Aluminum Alloy Side Rails 1 pair	Aluminum Alloy Side Rails 1 pair	PP Side Rails 4 pair
引流钩4个	Urine hooks 4pcs	•	•	•
输液杆1根	S.S I.V pole 1pc	•	•	•

选配 Options

床垫	Medical mattress	•	•	•
餐桌	Dining board	•	•	•
床头柜	Bedside cabinet	•	•	•
病历夹	Patient file panel	•	•	•
杂物篮	Sundries basket	•	•	•

电动老年护理床 | ELECTRIC GERIATRIC CARE BEDS

KY-PD8512W-1

外形尺寸	靠背/膝关节调节	反向和特伦德伦堡
L2140×W1010×H860-1270mm	0-70°/0-40°	15°±2°

Related parameters:

Overall dimension:L2140*W1010*H860-1270mm

Backrest adjustment:0-70°

Knee joint adjustment:0-40°

Reverse and Trendelenburg 15° ± 2°

主要功能 | Main functions

- | | |
|------------|--------------------------------|
| A:背部向上\向下 | A: Backrest adjustment |
| B:腿部向上\向下 | B: Knee joint adjustment |
| C:整体升降 | C:Overall lifting and lowering |
| D:反向和特伦德伦堡 | D:Reverse and Trendelenburg |

标准配置 | Standard configuration

- | | | | |
|---------|----|---------------------|-------|
| • 床头尾板 | 1对 | Head and foot board | 1pair |
| • 可折叠护栏 | 1对 | Foldable side rail | 1pair |
| • 床架 | 1套 | Bed frame | 1sets |
| • 脚轮 | 4个 | Casters | 4pcs |
| • 手控器 | 1个 | Handset | 1pcs |



多功能电动翻身床 | MULTIFUNCTIONAL ELECTRIC NURSING BED

KY-PD8514W

外形尺寸	起背升降	腿部升降	坐起功能	翻身功能
L2120*W900*H500mm	0-85°	0-25°	0-85°	0-55°

主要功能 | Main functions

- | | |
|---------|-----------------------------|
| A: 左右翻身 | A: Turn from side to side |
| B: 起背功能 | B: Back section up/down |
| C: 抬腿落腿 | C: Knee section up/down |
| D: 坐起功能 | D: Electric turing over bed |

基本配置 | Standard configuration

- | | |
|----------|--------------------------------|
| • 床头尾板1对 | 1 pair PP head/foot-end boards |
| • 护栏1对 | 1 pair aluminium siderails |
| • 床架1套 | 1 sets bedstead |
| • 脚轮4个 | 4 pcs urine hooks |
| • 手控器1个 | 1pc S.S I.V pole |





婴儿床 BABY CRIB
BB8712



产品尺寸 L850×W530×H920

婴儿床 BABY CRIB
KY-BB 8703



产品尺寸 L730×W410×H610mm

婴儿床 BABY CRIB
KY-BC603



产品尺寸 L1800×W800×H580/1100mm

婴儿床 BABY CRIB
KY-BB 8718



产品尺寸 L890×W520×H824-1024mm

儿童床 CRIB
KY-CH918A

外形尺寸	床面尺寸	床高度	背部/腿部倾斜
L1900×W900×H630/1270mm	1770×705mm	670mm	0-75°/0-45°
护栏尺寸	三挡离地高度	脚轮直径	
L1770×H570mm	60mm/300m/520mm	φ125mm	

颜色温馨舒适，两侧栅栏式活动开关可分级调节，有效防止儿童意外落床。
The color is warm and comfortable, and the fence type movable switches on both sides can be adjusted in different levels to effectively prevent children from falling out of bed accidentally.

Related Parameters:

Specification: 1900*900*630/1270mm
Bed surface size: 1770*705mm, bed surface height from the ground: 670mm
Castor: diameter 125, 4 brake wheels
Back rise and tilt angle: 0-75°
Leg rise tilt angle: 0-45°
Guardrail size: 1770*570mm

Three adjustable gears:

First gear (from the ground): 60mm
Second gear (from the ground): 300mm
Third gear (from the ground): 520mm



卡通护栏



单摇手儿童床 | ONE FUNCTION CHILDREN BED
KY-AB 8710-2

产品特点 | Product features

1. 不锈钢床架，美观坚固。
2. 冷轧钢板床板，坚固可靠。
3. 不锈钢床头和床尾，床尾端有金属信息卡架。
4. 不锈钢栅栏式护栏，悬挂设计，高度可调，可上下固定。
5. 四个直径5英寸的脚轮，带独立刹车。
6. 靠背：0o-70° +2°，通过曲柄调节。
7. 一个不锈钢曲柄，可折叠设计。
8. 一个不锈钢鞋架，固定在床腿上。
9. 可选配件：输液架、床垫、床头柜、床上桌。

1. Stainless steel bed frame, nice and firm.
2. Cold-roll steel bed board, solid and reliable.
3. Stainless steel head and foot bedside, with metal info card frame on foot end.
4. Stainless steel fence type guard rails, hanging design, height adjustable, can be fixed up and down.
5. Four dia.5" castors with individual brake.
6. Back rest: 0o-70° +2°, adjust by crank.
7. One stainless steel crank, collapsible design.
8. One stainless steel shoe rack attached to the bed leg.
9. Optional Accessories: infusion stand, mattress, bedside cabinet, overbed table.

产品参数 | Product parameters

尺寸: 1850mm(长)x800mm(宽)x600mm(高)
表面处理: 不锈钢抛光和环氧粉末喷涂
床架: 冷轧方钢管
床板: 冷轧带型钢平台
床头板和床尾板: 不锈钢
侧栏: 栅栏式不锈钢
床轮: 脚轮直径5英寸, 带独立刹车
背部抬高: 0-80° +2°
可选: 输液架、床垫、床头柜、食物托盘、床头桌
Dimension: 1850mm(L)x800mm(w)x600mm(H)
Finishing: Stainless steel polishing & Epoxy powder coating
Bed Frame: Cold rolling steel square tube
Bed-Board: Cold rolling strip type steel platform
Head & Foot Board: Stainless steel
Side Rail: Fence type stainless steel
Bed wheel: Castor dia.5" with individual brake
Back Raise: 0.-80°+2°
Optional: Infusion stand, mattress, bedside cabinet, food tray, over bed table



sprayed strip type bed surface stainless steel shoe shelf fence type s.s. guard rail collapsible steel crank Welded finished i.v. pole hole 4 x dia.5" silent castor stainless steel head and foot board



电动检查床 | ELECTRIC EXAMINATION BED
KY-PD8411-2

外形尺寸 Dimensions
L1910*W600*H700-950mm

产品功能 | Product function

高低调节范围: 700-950mm; Hi-lo adjustment between: 700-950mm;
 背面倾斜度: 60°; Back section tilting: 60 ± 5°;
 膝关节倾斜: 向上: 60° 向下: 30° Knee section tilting: up: 60 ± 5° down: 30 ± 5°

标准配置 | Disposition

- | | |
|--|---|
| <ul style="list-style-type: none"> 床主体 床垫采用6cm厚高密度海绵 脚轮: 4英寸静志双轮 两个刹车轮和两个非刹车轮 固定脚 | <p>Bed body</p> <p>The mattress is made of a 6cm thick, high-density sponge</p> <p>Castors: 4-inch static dual wheels</p> <p>With two brakes and two non brakes</p> <p>4pcs ground brakes</p> |
|--|---|



电动诊查床 | ELECTRIC EXAMINATION BED
KY-PD8413

技术参数 | Technical parameters

尺寸: L1830*W615*H560-900mm	Size: L1830*W615*H560-900mm
床垫厚度: 80mm	Mattress thickness: 80mm
头枕升高: 0-85° ± 2°, (电动操作)	head rest raise: 0-85° ± 2°, (operated by electric)
下降-上升: 560-900mm (电动操作)	down-up: 560-900mm (operated by electric)

配置 | Configuration

- | | |
|--------------------|---|
| • 125mm静音脚轮x4个, | 125mm Noiseless casters x 4, |
| • 电机 Timotion电机x1个 | with independent brake Motor Timotion motor x 1 |
| • 有线手控器x1个 | Control Wired remote controller x 1 |



简易诊查床 | EXAMINATION BED
KY-PD8411-6

技术参数 | Technical parameters

外形尺寸: L1910*W610*H810mm (含床垫高度)
 床垫尺寸: 头部640*610*85mm, 背部1190*610*85mm
 头部抬起: 0-80°
 包装尺寸: 193*61*20cm G.W45KGS
 颜色: 黑色/白色/蓝色

External dimensions: L1910 * W610 * H810mm (including mattress height)
 Mattress size: Head 640 * 610 * 85mm ,Back 1190 * 610 * 85mm
 head adjust: 0-80°
 Packing Size: 193*61*20cm G.W45KGS
 Colour: Black/White/Blue



检查床 | EXAMINATION COUCH WITH FACE HOLE
LEA-EX01-FH

技术参数 | Technical parameters

外形尺寸: L1800 x W600 x H750 mm
 净重: 22 公斤
 最大使用者体重: 180 公斤
 颜色: 黑色/白色/蓝色
 包装尺寸: 201*71*16cm G.W40KGS

External dimensions: L1800 x W600 x H750 mm
 Maximum user weight: 180 Kg
 Colour: Black/White/Blue
 Packing Size: 201*71*16cm G.W40KGS





KENYUE 垦跃®

TRANSFER BED SERIES

转运床系列

- FOLDING GUARDRAIL EMERGENCY TROLLEY
折叠护栏急救推车
- HYDRAULIC EMERGENCY TROLLEY
液压急救床推车
- EMERGENCY TROLLEY
急救推车
- MULTIFUNCTIONAL TRANSFER BED
多功能转运床
- FOLDING GUARDRAIL EMERGENCY TROLLEY
折叠护栏急救推车
- HYDRAULIC EMERGENCY TROLLEY
液压急救床推车

- ALUMINIUM STRETCHER
铝合金担架车
- ALUMINUM STRETCHER
铝合金担架

折叠护栏急救推车 | FOLDING GUARDRAIL EMERGENCY TROLLEY

KY-FB-800F

外形尺寸 Dimensions	床板尺寸 Bed size
L2150*W800*H600-930mm	L1915*W640mm

产品功能 | Product function

整体升降: 600-930mm
背部升降: 0~90°
倾斜调节: -18°~18°

Overall lift and fall: 600-930mm
Back rise and fall: 0~90°
Tilt adjustment: -18°~18°

标准配置 | Disposition

床主体	Bed body
进口油压缸	Imported hydraulic cylinder
中控脚轮 (含一个电导轨)	Central control caster (including one electric guide rail)
中控锁	Central lock
床垫	Mattress
护栏	Side rail
中心第五轮	The fifth caster
整体称重式树脂托盘	Integral weighing resin tray
调节高低手柄	Elevation handle
输液杆	I.V Pole
心脏椅位	Heart chair position



液压急救床推车 | HYDRAULIC EMERGENCY TROLLEY

KY-YY201-E

车面为分体结构, 上部采用进口大型油压杆支撑梁柱设计, 床身不会摇晃; 配铝合金全倒式护栏、输液架、引流挂钩, 是急诊室、ICU、病房转运病人及当急诊床、ICU床的最佳选择。

The car surface is a split structure, the upper body adopts imported large hydraulic rod support beam column design, the bed will not shake; with aluminum alloy full inverted guardrail, infusion rack, drainage hook, is the best choice for emergency room, ICU, ward to transport patients and when the emergency bed, ICU bed.

外形尺寸 Dimensions	床面尺寸 Bed size
L2100*W850*H590-910mm	L1940*W620mm

产品功能 | Product function

整体升降: 590-910mm
背部升降: 0°~70° ± 5°
腿部升降: 0°~30° ± 5°
导向第五轮
前后倾斜: -15° +15°
全身可透 X 光板

Overall lifting: 590-910mm
Back rise and fall: 0°~70° ± 5°
Leg lift: 0°~30° ± 5°
5th Direction Wheel
Forward and backward tilt: -15°+15°
Full Length X ray Translucent

标准配置 | Disposition

床主体	Bed body
转运床垫	Transfer mattress
不锈钢折叠护栏	Stainless steel folding side rail
中控双面脚轮	Center control double-sided caster
中控锁	Central lock
中心第五轮	The fifth caster
优质油压缸	High quality hydraulic cylinder
调节手柄	Adjusting handle
输液杆	I.V Pole
输液杆收纳架	Assorting for I.V Pole



急救推车 | EMERGENCY TROLLEY
KY-EM8203

外形尺寸 Dimensions

L1930*W640*H530-830mm

产品功能 | Product function

整体升降:530-830mm
背部升降:0-75°

Overall lift: 530-830mm
Back rise and fall: 0-75°

标准配置 | Disposition

- | | |
|--------------|--------------------------|
| • 可折叠 pp 侧梁 | Collapsible pp side beam |
| • 输液杆 | I.V pole |
| • 床垫 | Mattress |
| • 气动弹簧 | Pneumatic spring |
| • 可折叠的 pp 扶手 | Foldable pp armrest. |
| • 中心第五轮 | Center fifth round |
| • 中央控制脚轮 | Central control caster |
| • 中控锁 | Central lock |



多功能转运床 | MULTIFUNCTIONAL TRANSFER BED
KY-FA-800A

适用于急诊室、胃镜室、手术室
Applicable to emergency room, gastroscopy room, operating room

外形尺寸 Dimensions

L2150*W830*H560-890mm

床板尺寸 Bed size

L1880*W620mm

产品功能 | Product function

高低升降:560-890mm
背部升降:0-90°
安全工作载荷:≥220KG

Height lifting: 560-890mm
Back rise and fall: 0-90°
Safe working load: ≥220KG

标准配置 | Disposition

- | | |
|----------|------------------------------------|
| • 床主体 | Bed body |
| • 转运床垫 | Transfer mattress |
| • 护栏 | Side rail |
| • 中控双面脚轮 | Center control double-sided caster |
| • 中控锁 | Central lock |
| • 中心第五轮 | Center fifth round |
| • 托盘 | Tray |
| • 氧气瓶存储架 | Oxygen tank storage |
| • 调节手柄 | Crank |
| • 输液杆 | I.V Pole |
| • 输液杆收纳架 | Assorting |
| • 心脏椅位 | Heart chair |

选择配置 | Options

- | | |
|--------|--------------------------|
| • 双开护栏 | Double opening side rail |
| • 背部拍片 | Back film |
| • 记录台 | Recording table |
| • 导电轮 | Conducting wheel |
| • 称重功能 | Weighing function |



液压担架床 | HYDRAULIC STRETCHER BED

KY-STR-FG01

床体配带氧气瓶放置位置、底部两端配有 ABS 罩壳增加美观，并保护中控制刹车系统。

The bed body is equipped with oxygen cylinder placement, and the bottom two ends are equipped with ABS cover to increase the appearance and protect the middle control brake system

外形尺寸 Dimensions	头尾尺寸 Head and tail size
L2060*W800*H600-950mm	L740*W600*H45mm

中段尺寸 Middle size	床垫尺寸 Mattress size
L420*W600*H45mm	L1950*W600*H60mm

产品功能 | Product function

整体升降:60 ~ 890mm
背部升降:0° ~90° ± 5°
腿部升降:0° ~90° ± 5°

Overall lifting: 60 ~ 890mm
Back rise and fall :0°~90°± 5°
Leg lift :0°~90° ± 5°

标准配置 | Disposition

- | | |
|------------------|--|
| • 床垫 | Mattress |
| • 输液架 | I.V Pole |
| • 进口液压缸 | Imported hydraulic cylinder |
| • PP 三段式床面板 | PP three-stage bed panel |
| • 优质中控轮，配有一键踩刹系统 | High quality central control wheel with one click brake system |
| • PU 发泡扶手 | PU foam handrail |
| • 防撞轮 | Fender wheel |
| • 铝合金护栏 | Aluminium alloy Side rail |



液压急救床推车 | HYDRAULIC EMERGENCY TROLLEY

KY-STR-FG02

床体配带氧气瓶放置位置、底部两端配有 ABS 罩壳增加美观，并保护中控制刹车系统。

The bed body is equipped with oxygen cylinder placement, and the bottom two ends are equipped with ABS cover to increase the appearance and protect the middle control brake system

外形尺寸 Dimensions	头尾尺寸 Head and tail size
2060*W800*H600-950mm	L740*W600*H45mm

中段尺寸 Middle size	床垫尺寸 Mattress size
L420*W600*H45mm	L1950*W600*H60mm

产品功能 | Product function

整体升降:600~950mm
背部升降:0° ~90° ± 5°
腿部升降:0° ~90° ± 5°

Overall lift: 600-950mm
Back rise and fall :0°~90° ±5°
Leg lift :0°~90° ± 5°

标准配置 | Disposition

- | | |
|-----------|--|
| • 床主体 | Bed body |
| • 转运床垫 | Transfer mattress |
| • 不锈钢折叠护栏 | Stainless steel folding side rail |
| • 优质中控脚轮 | High quality central control caster |
| • 中控锁 | Central lock |
| • 优质液压缸 | Assorting for I.V Polehydraulic cylinder |
| • 防撞轮 | Fender wheel |
| • 输液杆 | I.V Pole |



铝合金担架车

KY-EB6605

高位	低位	背部最大角度
L1930xW550xH850mm	L1900xW600xH240mm	60°

- 采用优质铝合金材料制成，配备海绵软垫，重量轻，安全可靠
- 担架前端装有两个上车轮，可根据救护车的不同高度，作相应的调节
- 配有保险装置，当担架在上车时，必须先打开，当在推运病人时，一定要其锁上。
- 通过两边左右控制手柄自动折叠，仅需一人就可上下救护车
- 担架上车后，配有固定装置，将其锁定



ALUMINIUM STRETCHER

KY-EB6605

It is made of high-strength aluminum alloy; it is characterized by its being light-weighted, use-safely and easy for sterilization and cleaning. The stretcher has four swivel wheels. Safety lever for the legs is positioned near the unlocking device which.

Technical Parameters:

Product Size (L×W×H):

High Position: 1930×550×850mm

Low Position: 1900×600×240mm

Maximum Angle of the Back: 60°

Carton Size: 1950×600×300mm



背部升降

铝合金担架 | ALUMINIUM STRETCHER

KY-EB6602B

产品尺寸 Product Size	折叠尺寸 Folded Size	装载轴承Load Limit
L2080×W520×H140mm	L1030×W180×H100mm	159kg

本产品主要结构由铝合金制成，可以速度并且便于部队到不同的救援现场，适用于各种遇难和抢救者，该担架可折叠、存储空间小，担架面防水，避免被血液和体液污染。

The main structure of this product is made of aluminum alloy, which can speed and facilitate the troops to go to different rescue sites. It is suitable for all kinds of victims and rescuers. The stretcher is foldable, with small storage space and waterproof surface to avoid contamination by blood and body fluids.



铲担架 | SCOOP STRETCHER

KY-EB6603

产品尺寸 Product Size	折叠尺寸 Folded Size	装载轴承Load Limit
L2100*W440*H60mm	L1200*W440*H90mm	≤159kg

采用高强度铝合金材料制成，分体式担架，用于转移骨折及严重病人。

根据患者身体调整长度。

窄框架足部结构。重量轻、体积小、携带方便、使用安全、易于消毒清洁。

主要用于医院、运动场所、运送病人和伤员救护车。

Made of high-strength aluminum alloy materials, A separately-type stretcher to transfer fractured and serious patients.

A narrow-frame foot structure.

Light-weighted, small-sized, easy-carried, use-safely and easy for sterilization and clean.

Mainly used for hospitals, sports, ambulance carrying patients and wounded person.



一体电脑移动查房车 | INTEGRATED COMPUTER MOBILE RV

KY-1902

外形尺寸	工作台面	整机重量(不含计算机)
W520xH1050mm	L460W480mm	50KG

副台尺寸	升降尺寸	箱体参数 (全铝)
W330xH220mm	150mm	抽屉75mm/150mm/225mm可互换

Dimensions: 520mm wide * 1050mm high (table top to ground)
 Worktable: 480mm wide * 460mm long
 Total weight: 50kg (without computer)
 Auxiliary table size: 330mm long * 220mm wide
 Lifting dimension: display the lifting stroke of 150mm
 Cabinet parameters: all aluminum, three kinds of interchangeable drawers 75mm, 150mm, 225mm

主要技术参数 | Main Specification:

台面材质: ABS医用级塑料;
 立柱材质: 铝合金型材;
 拉手材质: 一次成型全铸铝;
 升降方式: 显示为恒力升降;
 可选外挂: 洗手液框, 鼠标挂架, 杂物框, 垃圾桶, 便携凳;
 桌面设计: 一体无缝, 一次成型, 具备物体防滑挡条;
 脚轮设计: 5寸医疗级静音轮, 脚踏刹车。

Table material: ABS medical grade plastic
 Column material: aluminum alloy profile
 Handle material: - full cast aluminum
 Lifting mode: display constant force lifting
 Optional external hanging: hand sanitizer box, mouse rack, sundry box, garbage can, portable stool
 Desktop design: - seamless body, - sub molding, with object anti-skid bar
 Caster design: 5-inch medical grade silent wheel, pedal brake

计算机参数 | Computer parameters

CPU: INTEL CORE I5四核
 内存: 4GB
 硬盘: 128GB SSD固态硬盘
 无线: INTEL 7260AC 802.11 ac/a/b/g/n 2.4G/5.0G
 有线: 千兆RJ45网口
 USB: USB3.0*4, USB2.0*2
 显示: VGA*1, HDMI*1, LVDS*1

CPU: Intel Core i5 quad core
 Memory: 4GB
 Hard disk: 128GB SSD
 Wireless: Intel 7260ac 802.11 AC / A / B / g / N 2.4g/5.0g wired: Gigabit RJ45 network port
 USB : USB3.0*4, USB2.0*2
 Display: VGA * 1, HDMI * 1, LVDS * 1

电池参数 | Battery parameters

电池电芯: 磷酸铁锂
 电池电量: 19V17Ah, 323Wh
 充电时间: 小于5小时
 续航时间: 工作8-10小时
 安全保护: 具备过压、过流、欠压、过充、过放功能
 充电次数: 循环充电次数大于2000次
 开关设计: 自锁式按钮开关

Battery cell: lithium iron phosphate
 Battery capacity: 19v17ah, 323wh
 Charging time: less than 5 hours
 Service life: 8-10 hours
 Safety protection: with over-voltage, over-current, under voltage, overcharge and over discharge functions. Charging times: more than 2000 times of cycle charging
 Switch design: self locking button switch



一体电脑移动查房车 | INTEGRATED COMPUTER MOBILE RV

KY-1901

外形尺寸	工作台面	推车整机重量
W520xH1050mm	L460W480mm	50KG

副台尺寸	升降尺寸	显示器支架
W360xH220mm	300mm/150mm	21.5寸

Dimensions: 520mm wide*1050mm high (table top to ground)
 Worktable: 480mm wide*460mm long
 Total weight: 50kg (W/O monitor, computer, power supply)
 Auxiliary table size: 330mm long*220mm wide
 Lifting dimension: The downward lifting stroke is 300mm, and the upward lowering stroke is 150mm
 Display bracket size: 21.5 inches

主要技术参数 | Main Specification:

台面材质: ABS医用级塑料;
 立柱材质: 铝合金型材;
 拉手材质: 一次成型全铸铝;
 升降方式: 显示为恒力升降;
 可选外挂: 根据要求定制
 桌面设计: 一体无缝, 一次成型, 具备物体防滑挡条;
 脚轮设计: 静音万向脚轮, 2个带刹车、2个不带刹车。

Table material: ABS medical grade plastic;
 Column material: aluminum alloy profile;
 Handle material: one-time molding fully cast aluminum;
 Lifting method: displayed as constant force lifting;
 Optional plug-in: customized according to requirements
 Desktop design: - seamless body, - sub molding, with object anti-skid bar
 Castor design: Silent universal casters, 2 with brakes and 2 without brakes.

计算机参数 | Computer parameters

CPU: INTEL CORE I5
 OS系统: Windows 7, windows 10
 内存: DDR3 4GB 硬盘: 128G固态硬盘
 无线: 802.11 ac/a/b/g/n
 显示器接口: VGA+HDMI,可同时支持
 USB: USB3.0*4
 显示接口: HDMI*1 有线网口: 千兆网口*1

CPU: INTEL CORE I5
 OS system: Windows7, Windows10
 Memory: DDR3 4GB Hard drive:128G Solid state hard drive
 Wireless: 802.11 ac/a/b/g/n
 Display interface: VGA+HDMI, can support both
 USB: USB3.0*4
 Display interface: HDMI * 1 wired network port: Gigabit network port*1

电池参数 | Battery parameters

电池电芯: 磷酸铁锂
 电池电量: 19V17Ah, 323Wh
 充电时间: ≤5小时
 续航时间: 工作8-10小时
 安全保护: 具备过压、过流、欠压、过充、过放功能
 充电次数: ≥2000次以上
 开关设计: 自锁式按钮开关

Battery cell: lithium iron phosphate
 Battery level: 19V17Ah, 323Wh
 Charging time: ≤ 5 hours
 Battery life: 8-10 hours of operation
 Safety protection: Equipped with overvoltage, overcurrent, undervoltage, over-charging, and discharging functions
 Charging frequency: ≥ 2000 times or more



移动信息化推车 | MOBILE INFORMATION CART
KY-GC06

主要技术参数 | Main Specification:

主要材质: Main materials:	铝、塑、钢材构成;
台面: Table top:	材质优质ABS工程塑料; 台面大小:485mm*495mm(台面加保护软玻璃);
台面高度: Table height:	750mm-1050mm;
升降高度: Lifting height:	脚踏式气动升降,行程300mm;
底座: Base:	底座为PA6框架、底座盖板为ABS工程塑料;
显示立柱: Display column:	显示器挂架可手动调节高度130mm,负载承重10kg,标准visa孔;
键盘托盘: Keyboard tray:	配置左右可抽拉式键鼠托盘,独立鼠标盒;
抽屉配置: Drawer configuration:	抽屉隔板铝合金材质,可自由滑动组合; 浅抽屉:内部空间370*240*70mm外部高80mm; 深抽屉:内部空间:370*240*155mm外部高160mm
脚轮: Castors:	4寸医用静音脚轮(2个刹车轮);
重量: Weight:	全车重量小于40Kg



监护仪台车 | MONITOR TROLLEY
KY-GD52-1

主要技术参数 | Main Specification:

云台、立柱及五爪均采用铝合金材料制成,兼顾防腐与美观。

医用静音脚轮尽可能减少了移动时的噪音。

云台可以调整角度,便于观察、使用。

高度(到云台面) 1050mm

托板俯仰角度: 双向≥10°

五星脚半径: 300mm

轮子直径: 70mm

刹车: 标配两轮带刹车

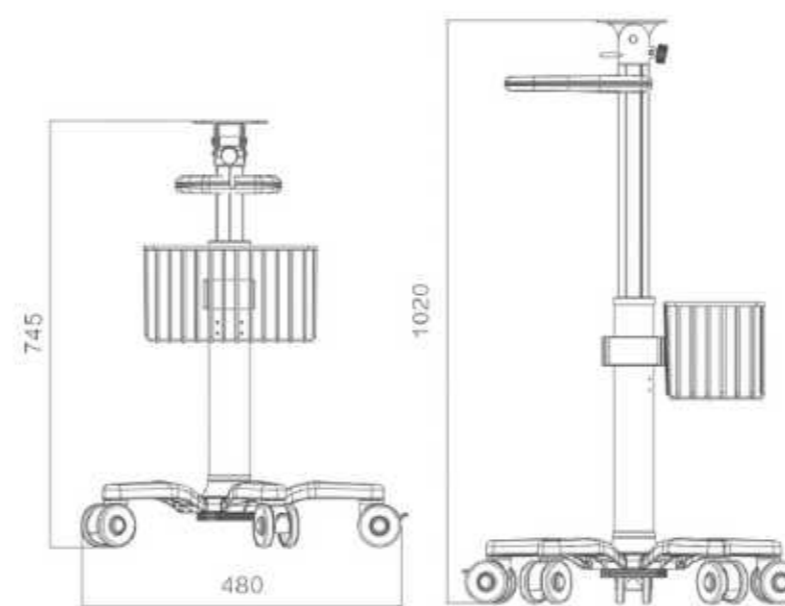
承重: 20kg

材质: 云台、立柱、五星脚为铝合金,其他为不锈钢、尼龙等。

包装: 纸箱

净重: 小于10Kg

- The gimbal, the column and the five claws are made of aluminum alloy material, taking into account the anti-corrosion and beauty.
- Medical silent casters minimize noise during movement.
- The gimbal can adjust the angle for easy observation and use.
- Height (to the surface of the platform): 1050mm
- Pallet pitch angle: two-way ≥10°
- Five-star foot radius: 300mm
- Wheel diameter: 70mm
- Brake: standard two-wheel brake
- Bearing capacity: 20kg
- Material: PTZ, column, five-star foot for aluminum alloy, others are stainless steel, nylon, etc.
- Packaging cartons
- Net weight: about 10kg



送药车 | TREATMENT CART
KY-CH8151



外形尺寸 Dimension	L1100×W640×H1100mm
工作台面 Worktable	L600×W470×H1000mm
净重 Net weight	About 60kg

注：配件可依临床需求选配
Note: Accessories can be selected according to clinical needs

麻醉车 | ANESTHESIA CART
KY-CH8152



外形尺寸 Dimension	L1100×W640×H1590mm
工作台面 Worktable	L600×W470×H1000mm
净重 Net weight	About 70kg

注：配件可依临床需求选配
Note: Accessories can be selected according to clinical needs

笔记本移动医疗车 | LAPTOP MOBILE MEDICAL CART
KY-CH8137



外形尺寸 Dimension	L1100×W640×H1100mm
工作台面 Worktable	L600×W470×H1000mm
净重 Net weight	About 45kg

注：配件可依临床需求选配
Note: Accessories can be selected according to clinical needs

治疗车(仪器车) | TREATMENT CART INSTRUMENT CART
KY-CH8150



外形尺寸 Dimension	L1100×W640×H1000mm
工作台面 Worktable	L600×W470×H900mm
净重 Net weight	About 40kg

注：配件可依临床需求选配
Note: Accessories can be selected according to clinical needs

移动医疗车 | MEDICAL CART
CH-CH8137-1



外形尺寸 Dimension	L1100×W640×H1100mm
工作台面 Worktable	L600×W470×H1000mm
净重 Net weight	About 45kg

注：配件可依临床需求选配
Note: Accessories can be selected according to clinical needs

移动医疗车 | MEDICAL CART
KY-CH8170-1



外形尺寸 Dimension	L630×W470×H1500mm
工作台面 Worktable	L630×W470mm
净重 Net weight	About 45kg

注：配件可依临床需求选配
Note: Accessories can be selected according to clinical needs

移动医疗车 | MEDICAL CART
KY-CH8150-1



外形尺寸 Dimension	L1100×W640×H1100mm
工作台面 Worktable	L600×W470×H900mm
净重 Net weight	About 40kg

注：配件可依临床需求选配
Note: Accessories can be selected according to clinical needs

移动医疗车 | MEDICAL CART
KY-CH8162-1



外形尺寸 Dimension	L710×W620×H990mm
工作台面 Worktable	L480×W450×H810mm
净重 Net weight	About 30kg

注：配件可依临床需求选配
Note: Accessories can be selected according to clinical needs

移动医疗车 | MEDICAL CART
KY-CH8167

移动医疗车 | MEDICAL CART
KY-KH8151-1



外形尺寸 Dimension	L1100×W640×H1100mm
工作台面 Worktable	L600×W470×H1100mm
净重 Net weight	About 45kg

注：配件可依临床需求选配
Note: Accessories can be selected according to clinical needs



外形尺寸 Dimension	L610×W470×H910mm
工作台面 Worktable	L540×W420mm
净重 Net weight	60kg

注：配件可依临床需求选配
Note: Accessories can be selected according to clinical needs



手动综合手术台 | MANUAL COMPREHENSIVE OPERATING TABLE

KY-20-YGD03

技术参数 | Technical Parameter

台面全长: L1950*W520*H720-970mm	Table length: L1950*W520*H720-970mm;
前后倾: ≥30°	Tilt: ≥30°;
左右倾: ≥20°	Left-right tilt: ≥20°;
背板上/下折: ≥80° / ≥10°	Upper/lower fold: ≥80°/≥10°;
头板上/下折: ≥45° / ≥90°	Head plate upper/lower fold: ≥45°/≥90°;
腰板调节: ≥120mm	Lumbar adjustment: ≥120mm;
腿板下折: ≥90°	Leg plate lower fold: ≥90°;
腿板外展: ≥90°	Leg plate abduction: ≥90°

标准配置 | Standard configuration

• 麻醉防护屏	1个	Anesthesia protective screen 1pcs
• 支肩架	1付	Shoulder support 1pay
• 搁臂架	1付	Shelf arm 1pay
• 足板	1付	Foot plate 1pay
• 支身架	1只	Support frame 1piece
• 托腿架	1付	Leg bracket 1pay
• 床垫	1套	Mattress 1set



电动液压手术床 | ELECTRIC HYDRAULIC OPERATING TABLE

KY-20-YGD04

技术参数 | Technical Parameter

外形尺寸: L2050*W520*H600-1030mm	Dimensions: L2050*W520*H600-1030mm
台面升降行程: 430mm	Table lifting stroke: 430mm
床面前后倾角度: ≥30° / ≥30°	Tilt back in front of bed : ≥30°/≥30°
床面左右倾角度: 20° / ≥20°	Bed tilt Angle : 20°/≥20°
头板折转角度上折/下折 (手动): ≥30° / ≥90°	Head plate folding Angle up/down (manual) : ≥30°/≥90°
可拆卸, 腿板折转角度上折/下折 (手动): ≥90° / ≥90°	Removable, leg plate folding Angle up/down (manual): ≥90°/≥90°
可拆卸, 背板折转角度上折/下折: ≥80° / ≥40°	Detachable, backplane folding Angle up/down : ≥80°/≥40°
腰板升高行程: ≥130mm	Lift stroke: ≥130mm
台面最大平移距离: ≥350mm	The maximum translation distance of the table surface is: ≥350mm
承重: 320kg	The load is 320kg

标准配置 | Standard configuration

• 主床	1张	Master bed 1sheet
• 麻醉防护屏架	1个	Anesthesia protective screen 1pcs
• 支肩 (支身) 架	1对	Shoulder support (support) frame 1pair
• 搁臂架	1付	Arm rest 1pay
• 托腿架	1付	Leg support frame 1pay
• 床垫	1套	Set of mattress 1set
• 缚身带	1个	Body strap 1pcs
• 手持操作器	1个	Handset 1pcs



无影灯 | SHADOWLESS OPERATING LAMP
PLM-700/500

PLM-700/500-NEW无影灯采用LED冷光源设计,带有腔镜照明功能,满足手术室各种手术照明要求。

PLM-700/500-NEW operating light use LED cold light source, which can be used for all kinds of surgeries. This operating light has the endoscopic surgery mode function.



型号 Type	PLM-700 Main lamp	PLM-500 Main lamp
灯头直径, Head Diameter	700mm	500mm
LED灯珠数量, LEDS	80	48
照度(10档可调), Illumination	40~160klx	
显色指数, CRI	Ra>98	
色温(5档可调), Color Temperature	3500~5000K	
照明深度, Illuminance	1200mm	
光斑直径, Spot Diameter	120~300mm	
LED使用寿命, LED Life	>50,000 Hours	
腔镜模式, ENDO Mode	Available	
LED灯珠品牌, LED Brand	OSRAM	
备用电源, UPS	Optional	



欧司朗LED灯珠
OSRAM LED



可选配备电源
Option UPS



腔镜模式
Endoscopic surgery function



采用5寸LCD触摸屏
5"LCD control panel



移动式LED检查灯 | MOBILE LED EXAMINATION LIGHT
PLM-500

型号 Type	PLM-500 Main lamp
灯头直径. Head Diameter	500mm
LED灯珠数量. LEDs	48
照度(10档可调). Illumination	40~160klx
显色指数. CRI	Ra>95
色温(5档可调). Color Temperature	3500-5000K
照明深度. Illuminance	1200mm
光斑直径. Spot Diameter	120-300mm
LED使用寿命. LED Life	>50,000 Hours
LED灯珠品牌. LED Brand	OSRAM
备用电源. UPS	Optional



LED cold light, head temperature rise less than 1°C



Removable sterilizer handle



PWM dimming technology, no flickering



Deep illumination



欧司朗LED灯珠
OSRAM LED



可选配备用电源
Option UPS



腔镜模式
Endoscopic surgery function



采用5寸LCD触摸显示屏
5"LCD control panel



移动式LED检查灯 | MOBILE LED EXAMINATION LIGHT
PLM-360L



灯头直径: 360mm
Diameter Of Lamp Cap: 360mm



亮度旋转调整
Brightness Rotation Adjustment



PLM-360L Mobile LED Surgical Examination Lamp Equipped with

Movable casters, it is very convenient for pet hospitals and clinics to use flexibly.

Model	PLM-360L
Lamp power	LED 3W (lamp beads can be customized)x36
Bulb color temperature	4000-5000K
Bulb life	≥50000h
Working distance	800-1000mm
Center illumination	≥80000Lux
Color rendering index	80 ≤ Ra ≤ 100
Spot diameter	≤125mm
Illumination depth	≥200mm
Cap diameter	360mm
Number of beads	36

移动式LED检查灯 | MOBILE LED EXAMINATION LIGHT
PLM-180L



PLM-180L Mobile LED Surgical Examination Lamp Equipped with movable casters, it is very convenient for pet hospitals and clinics to use flexibly.

Model	PLM-180L
Lamp power	LED 3W (lamp beads can be customized) × 18
Bulb color temperature	4000-5000K
Bulb life	≥50000h
Working distance	800-1000mm
Center illumination	≥60000Lux
Color rendering index	80 ≤ Ra ≤ 100
Spot diameter	≤100mm
Illumination depth	≥200mm
Cap diameter	260mm
Number of beads	18

吊桥 | PENDANT BRIDGE
PLDQ

ICU悬臂吊桥用于医院ICU病床,是现代重症监护病房必备的医疗辅助设备,主要由桥架臂、干段和湿段组成。

ICU pendant bridge is mainly used in ICU room. It is the necessary equipment in modern ICU rooms. The pendant bridge has several parts as rail bridge, wet part and dry part.



单臂吊塔 | SINGLE ARM PENDANT
PLDT

单臂吊塔结构简单紧凑,使用方便,是手术室理想的医用电源、气源、网络输出终端及仪器承载工作站。

Single arm pendant has compact structure by logical design. It's the hospital's ideal station for electric and medical gas supply, information terminal and instrument platform.



麻醉塔 | ANESTHESIA PENDING
PLMT

- 采用天花板悬挂方式,塔体和塔臂旋转340°
- 塔身配置多层设备平台
- 配有气动刹车

With ceiling suspension, the pendant body and arm can rotate 340°
Pendant configuration multi-layer equipment platform
Equipped with pneumatic brakes



单臂腔镜塔 | SINGLE ARM ENDOSCOPIC PENDANT
PLQJ

随着微创技术的发展,腔镜技术普遍应用到外科、泌尿科、妇科、胸外科等手术治疗领域。

腔镜塔作为腔镜治疗设备的承载平台,为手术工作提供了全方位的服务。

With the development of minimally invasive technique, endoscopic technique is widely used in surgery, urology, gynecology and thoracic surgery.

As a bearing platform for endoscopic treatment equipment, the endoscopic pendant provides a full range of services for surgery.



床头柜 | BEDSIDE CABINETS
KY-CH-8132

材质: ABS
Material:ABS



产品尺寸 Size 480×480×780mm

床头柜 | BEDSIDE CABINETS
KY-CTG0914B

材质: ABS、冷轧钢
Material:ABS、Cold Rolled Steel



产品尺寸 Size L475×W470×H750mm

床头柜 | BEDSIDE CABINETS
KY-D-13

材质: 抗倍特纤维板
Material:Kangbeite fiberboard



产品尺寸 Size L475×W470×H750mm

床头柜 | BEDSIDE CABINETS
KY-D-18

材质: 抗倍特纤维板
Material:Kangbeite fiberboard



产品尺寸 Size L615×W500×H885mm

床头柜 | BEDSIDE CABINETS
KY-KH8931

材质: ABS
Material:ABS



产品尺寸 Size L475×W440×H805mm

床头柜 | BEDSIDE CABINETS
KY-KH8943-1

材质: 钢铁喷塑
Material:Steel spray



产品尺寸 Size L440×W460×H790mm

床头柜 | BEDSIDE CABINETS
KY-KH8943WD

材质: 冷轧钢
Material:Cold Rolled Steel



产品尺寸 Size L440×W460×H790mm

床头柜 | BEDSIDE CABINETS
KY-SY8133B

材质: ABS
Material:ABS



产品尺寸 Size L480×W480×H880mm

等候椅 WAITING CHAIR
KY-KH8906



产品尺寸 Size L1750*W680*H780mm

1. 扶手脚: 采用冷轧钢, 模具铸型 焊接而成, 抛光后除锈电镀;
2. 坐板: 采用精选冷轧钢板冲孔, 静电喷漆;
3. 边条: 特别定制 的冷轧钢压边条, 抛光后静电除锈后电镀;
4. 横梁: 采用镀锌带钢拉伸, 酸洗防锈处理后, 静电喷漆。

1. Help your hands and feet; It is made of cold rolled steel, welded by mold casting, polished and plated.
2. Sit on a board; Using selected cold rolled steel plate punching, electrostatic spray painting
3. Edge bar; Custom-made cold rolled steel embossing strips, polished and electroplated after electrostatic rust removal.
4. Cross beam; Anshan steel strip steel stretching, acid washing anti rust treatment, electrostatic spray paint

等候椅 WAITING CHAIR
KY-SJ9058L



单人位 Single person ≥L630*≥W680*≥H835mm

二人位 Two in two ≥L1240*≥W680*≥H835mm

三人位 For three ≥L1830*≥W680H*≥835mm

四人位 For four ≥L2418*≥W680*H835mm

五人位 For five ≥L2911*≥W680*≥H835mm

材质: 自结皮聚氨酯 (PU) 内置钢骨架

Material: Self-curved polyurethane (PU) with built-in steel frame

陪护椅 ESCORT CHAIR
KY-KH8911



产品尺寸 Size L610*W750*H980mm (收起/Folded)
L1900*W600*H430mm (展开/Unfolded)

1. 椅架/内框: 采用钢管弯管焊接而成, 经打磨酸洗磷化静电喷塑处理;
2. 软垫: 采用木板、高回弹海绵及耐刮西皮钉制而成;
3. 座位下面有四个ABS轮子: 方便拉开和收起, 坐卧两用。

1. The chair frame and inner frame are welded by steel pipe bending pipe, and are treated by polishing, pickling, phosphating, and electrostatic spraying
2. The upholstery is made of wooden boards, high resilience sponges and scratch-resistant pegs.
3. There are four ABS wheels under the seat, easy to pull away and recline, sitting and lying

输液椅 INFUSION CHAIR
KY-KH8912



产品尺寸 Size L740*W940*H1080mm
L740*W1460*H820mm (躺下/Lie down size)

1. 椅架: 采用优质钢管弯制焊接而成, 管材厚度1.2mm;
2. 挂篮: 采用M8圆钢弯制焊接制成, 椅架采用静电喷塑处理;
3. 软垫及扶手: 采用PU革与高回弹海绵及木板订制而成, 靠背内有钢架;
4. 靠背: 采用气动调角器, 角度可自由调节;
4. 输液瓶吊杆: 高度可根据需要调节;
5. 下方带有脚踏, 方便舒适;
6. 该产品特点: 角度可调, 座感舒适。

1. The chair frame is made of high quality steel pipe bent and welded. The thickness of the pipe is 1.2mm. The hanging basket is made of M8 round steel bending and welding. The chair frame is treated by electrostatic spray.
2. The cushion and handrail are made of PU leather, high rebound sponge and wooden board, and the steel frame is inside the backrest.
3. The backrest adopts pneumatic adjuster, and the Angle can be adjusted freely.
4. The height of the infusion bottle boom can be adjusted as needed
5. Below with a cabinet foot, convenient and comfortable
6. The product features: adjustable Angle, comfortable seat

手动透析椅 MANUAL DIALYSIS CHAIR KY-TX-1

技术参数 Parameter

产品尺寸 Size	L900×W880×H1320mm
包装尺寸 Package size	L1510 *W800*H610mm
最大承重 Max load	200kg
净重 Net weight	55kg



电动血液透析椅 ELECTRIC DIALYSIS CHAIR KY-TX-2

产品特点 Features

面料为优质环保皮革，钢管喷漆，电动调节角度，特伦伯格体位，CPR功能，4寸脚轮，带脚踏、头枕、输液架，豪华舒适

The fabric is pressed PVC artificial leather the chair includes user friendly features, such as adjustment angle of electric ,CPR function, headrest, foot step, Trenberg position

技术参数 Parameter

展开尺寸 Expanded Size	L1880±20×W880×H600mm
坐姿尺寸 Sitting size	L1000 *W880*H1300mm
最大承重 Weight limit	240kg
净重 Net weight	70kg



电动透析椅 ELECTRIC DIALYSIS CHAIR KY-HX-3

产品特点 Features

这款椅子具有豪华的设计，可以更好地为患者提供更舒适的环境，减轻患者的心理压力，使献血或透析过程更加舒适。椅子用于血液透析、献血、血液透析、肿瘤、化疗、康复。

This chair has a luxurious design which can better provide patients with more comfortable environment, reduce the psychological pressure of patients, and make the process of blood donation or dialysis more comfortable. Chair is used for hemodialysis, blood donation, perdition dialysis, oncology, chemotherapy and rehabilitation.

技术参数 Parameter

产品尺寸 Expanded Size	L1950±20×W600×H580-780mm
靠背腿托调整 Backrest/Legrest	(-12°-75°) ±5° / (-75°-12°) ±5°
最大承重 Weight limit	240kg
净重 Net weight	70kg±3kg



移动餐桌 OVER BED TABLE
KY-CZ0914B-2



外形尺寸 Size L388*W768*H700-1005mm

移动餐桌 OVER BED TABLE
KY-KH8922



外形尺寸 Size L900*W380*H720-1020mm

移动餐桌 OVER BED TABLE
KY-KH8922-1



外形尺寸 Size L880*W480*H785-1105mm

移动餐桌 OVER BED TABLE
KY-KH8922-2



外形尺寸 Size L880*W480*H785-1105mm

移动餐桌 OVER BED TABLE
KY-005



外形尺寸 Size L768*W388*H700-10100cm

移动餐桌 OVER BED TABLE
KY-CZ0914



外形尺寸 Size L897*W380*H778-1038mm



不锈钢护士凳
Nurse bench
KY-F-36



不锈钢护士凳
Nurse bench
KY-F-37



不锈钢护士凳
Nurse bench
KY-F-38



不锈钢护士凳
Nurse bench
KY-F535352



一步脚凳
One step footstool
KY-F-39



两步脚凳
TWO step footstool
KY-F-40

平床垫 | FLAT MATTRESS
KY-H-1



产品尺寸 Size L1930*W890*H80mm

二折床垫 | FOLD MATTRESS
KY-H-2



产品尺寸 Size L1930*W890*H80mm

三折床垫 | TRIPLE FOLD MATTRESS
KY-H-3



产品尺寸 Size L1930*W890*H80mm



防褥疮气垫 | AIR CUSHION TO PREVENT BEDSORE
KY-H-14

技术参数 | Technical Parameter

- 材质: 床垫罩尼龙/PU 气条 尼龙/pvc
- 气条: 110mm 充气管径 x18条, 厚度0.34mm
- 充气尺寸: L2000xW860xH95mm
- 主机尺寸: L270xW130xH105mm

Material: Mattress cover nylon /PU strip nylon /pvc
Gas strip :110mm gas tube diameter x18, thickness 0.34mm
Inflation size: L2000xW860xH95mm
Host size L270xW130xH105mm

电气参数 | Electrical parameter

- 电源连接: 100VAC/240VAC,50/60Hz
- 输出压力范围: 50-120mmHG

Power connection: 100VAC/240VAC,50/60Hz
Output pressure range: 50-120mmHG



防褥疮气垫 | AIR CUSHION TO PREVENT BEDSORE
KY-H-15

技术参数 | Technical Parameter

- 材质: 床垫罩尼龙/PU 气条 尼龙/pvc
- 气条:95mm 充气管径 x20条, 厚度0.32mm
- 充气尺寸: L2000xW860xH95mm
- 主机尺寸:L250xW120xH100mm

Material: Mattress cover nylon /PU strip nylon /pvc
Gas strip :95mm gas tube diameter x20, thickness 0.32mm
Inflation size: L2000xW860xH95mm
Host size :L250xW120xH100mm

电气参数 | Electrical parameter

- 电源连接: 100VAC/240VAC,50/60Hz
- 输出压力范围: 50-120mmHG

Power connection: 100VAC/240VAC,50/60Hz
Output pressure range: 50-120mmHG



落地式输液杆 | FLOOR STANDING I.V. POLE
KY-R1



产品尺寸 Size L510*W510*H285-2280mm (±10mm)

落地式输液杆 | FLOOR STANDING I.V. POLE
KY-R2



产品尺寸 Size L510*W510*H1965mm (±10)

移动式输液架 | MOBILE INFUSION I.V. POLE
KY-KH6699N



产品尺寸 Size L450*W450*H110-2100mm

移动式输液架 | MOBILE INFUSION I.V. POLE
KY-SS6699N-01



产品尺寸 Size L530*W530*H110-210cm

落地式输液杆 | FLOOR STANDING I.V. POLE
KY-R3



产品尺寸 Size L510*W510*H305-2300mm (+10mm)

落地式输液杆 | FLOOR STANDING I.V. POLE
KY-R4



产品尺寸 Size L510*W510*H285-2280mm(±10mm)

移动式输液架 | MOBILE INFUSION I.V. POLE
YYD-AS01B



插式输液架 | PLUG-IN I.V. POLE
KY-JKP-090



悬挂式输液架 | SUSPENDED TYPE I.V. POLE
KY-JKP-090-2



插式输液架 | PLUG-IN I.V. POLE
KY-JKP-091

